

HELIOS

MULTIGYM

The HELIOS Multigym merges the science of proper exercise biomechanics, smart design, and tamperproof construction to create a superior outdoor fitness solution.

Real Fitness Equipment for Real Results

Compact, cost-effective, and entirely safe, the HELIOS is built to accommodate users of all fitness levels and abilities, making it an ideal choice for any outdoor fitness space.



 **TAMPERPROOF.**  **WEATHERPROOF.**  **SAFE.**

BUILT TO LAST

The HELIOS has demonstrated its toughness in diverse locations across North America and beyond. From parks to correctional facilities, military bases, corporate campuses, and even aboard military ships, the HELIOS has proven its strength, durability, and ability to deliver real exercise. Its robust construction ensures reliable performance in the most demanding environments, solidifying its reputation as a trusted choice for outdoor fitness.

38+ DIFFERENT EXERCISES

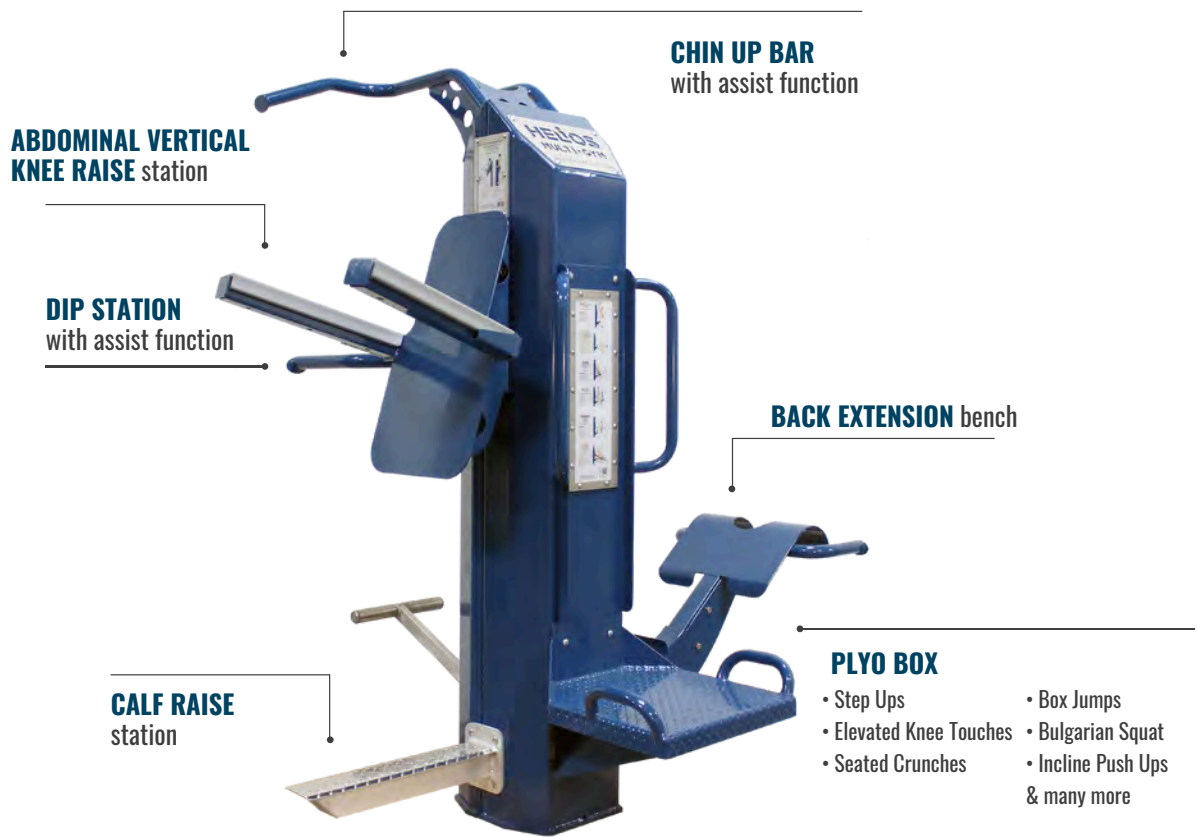
The HELIOS is designed with over 38 different exercises, offering a full body workout.

With adjustability where needed and our unique chin/dip assist mechanism, the HELIOS Multigym is suitable for users of all fitness levels.

4 SIMULTANEOUS USERS

The HELIOS maximizes space efficiency, allowing up to four individuals to work out at the same time. With multiple workout stations integrated into its compact and thoughtfully engineered design, the HELIOS promotes group exercise without compromising safety or functionality.

The HELIOS is built to maximize indoor or outdoor exercise areas, with 38+ exercises available:



TECHNICAL SPECIFICATIONS



Width: 80" / 204 cm

Length: 65" / 166 cm

Height: 85" / 216 cm

Weight: 620 lbs / 282 kg

Fall Height: 84" / 213cm

Use Zone: 12'8" x 11'9"

Shipping Weight: 748 lbs / 340 kg

Shipping Dimensions: 44" wide x 54" long x 85" high /
112 cm wide x 137 cm long x 216 cm high



Instructional Placards: Reverse print with UV-stabilized ink on 1/4" thick Lexan. Bolted to the columns with a stainless steel trim ring using stainless steel carriage bolts.

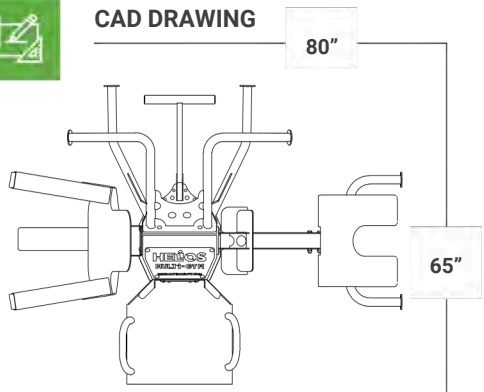
Frame: Constructed of 3/16" and 1/4" thick heavy-duty steel. All fasteners are tamperproof stainless steel carriage bolts with a smooth, rounded head and square neck. The locking nuts are shielded behind a padlocked access hatch.

Finish:

- All parts have surfaces prepped and cleaned of all mill scale, rust, oils, and dirt using shot blast and/or chemical wash.
- Primer coat is applied with epoxy zinc-rich primer (3-4 mil thickness) and cured in oven. Primer designed for superior rust protection. Tested for 3000 hours of salt spray resistance.
- Top finish coat is applied with TGIC-FREE weather-resistant polyester powder (3-4 mil thickness) and cured in oven. Tested for 1500 hours of salt spray resistance.
- All parts inspected to be free of paint defects prior to shipping.



CAD DRAWING



HELIOS
MULTIGYM



Accessibility: It is the manufacturers' opinion that the Helios Multigym conforms to the A.D.A. accessibility standard, assuming an accessible protective surfacing is provided or within the entire use zone.